



SRAM G8 / G9 IGH

2015 Frame Fit Specifications

This document is intended to communicate general frame fit guidelines for SRAM Internal Gear Hubs. For additional information, please contact your SRAM representative.



All dimensions are in millimeters unless otherwise noted.
Images in this document are not to scale.
Your product's appearance may vary slightly from the images in this document.
Information in this document is subject to change without prior notice.
If you have any questions please contact your SRAM representative.

Table of Contents

SRAM G8 / G9 SHIFTERS	4
G8 / G9 SHIFTERS - GENERAL INFORMATION	5
G8 / G9 - CABLE HOUSING	6
SRAM G8 IGH.....	7
G8 - GENERAL INFORMATION.....	8
G8 - COASTER BRAKE	9
G8 - FREE WHEEL	10
G8 - FREE WHEEL - BELT COMPATIBLE.....	11
G8 - DISC BRAKE.....	12
G8 - DISC BRAKE	13
G8 - DISC BRAKE - BELT COMPATIBLE	14
G8 - DISC BRAKE - BELT COMPATIBLE	15
SRAM G9 IGH.....	16
G9 - GENERAL INFORMATION.....	17
G9 - DISC BRAKE.....	18
G9 - DISC BRAKE.....	19
G9 - DISC BRAKE - BELT COMPATIBLE	20
G9 - DISC BRAKE - BELT COMPATIBLE	21



SRAM G8 / G9 Shifters

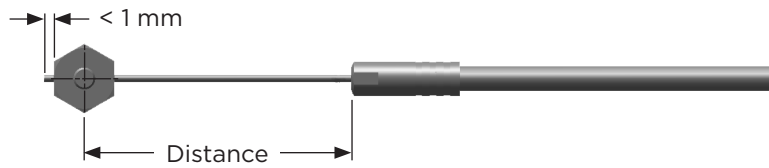
G8 / G9 Shifters - General Information

	G8 Twist Shifter	G9 Trigger Shifter
Version	G8 Twist Shifter ⁽¹⁾	G9 Trigger Shifter ⁽¹⁾
Speeds	8	9
Cable Length	Various lengths available from 1500 mm-2100 mm (open system 2300 mm)	1600 mm/ 1700 mm/ 1800 mm (open system 2300 mm)
Shifter Type	Twist Shifter	Trigger Shifter
Arrangement	Right Side of Handlebar	Right Side of Handlebar
IGH Compatibility	SRAM G8 ⁽¹⁾	SRAM G9 ⁽¹⁾
Gear Indication	Window	Window
Barrel Adjuster	Indexing	Indexing
Clamping Diameter	22.3 mm	22.3 mm
Cable Routing	Continuous Housing (pre-assembled) or Open	Continuous Housing (pre-assembled) or Open
Weight	90 g	139 g
Housing	Injection Molded Plastic	Aluminum
Grip Cover	Thermoplastic Elastomer	N/A
Color	Icelandic Black, Falcon Grey	Icelandic Black

(1) There is a special cable configuration for belt compatible hubs, refer to the [Cable Housing drawing](#) in this document for more information.

G8 / G9 - Cable Housing

Model	Distance Between Cable Housing End Cap and Screw (mm)	Tightening Torque
G8	71.5	3 ±0.5 N•m (26.6 in-lb)
G8 Belt Compatible	90.6	
G9	75.8	
G9 Belt Compatible	94.9	





SRAM G8 IGH

G8 - General Information

	G8 Coaster Brake	G8 Free Wheel	G8 Disc Brake
Brake	Internal Coaster Brake up to 125 kg ⁽¹⁾	No Brake	No Brake / Disc Brake Adapter
Speeds	8	8	8
Total Gear Ratio	260%	260%	260%
Gear Steps	12-16%	12-16%	12-16%
Speed 1	60.9%	60.9%	60.9%
Speed 2	71.0%	71.0%	71.0%
Speed 3	80.3%	80.3%	80.3%
Speed 4	90.3%	90.3%	90.3%
Speed 5	105.4%	105.4%	105.4%
Speed 6	120.4%	120.4%	120.4%
Speed 7	135.5%	135.5%	135.5%
Speed 8	158.1%	158.1%	158.1%
Over Locknut Dimension (OLD)	135 mm	135 mm	135 mm
Axle Length	184 mm	184 mm	184 mm
Axle Threads	M10x1 ⁽²⁾	M10x1 ⁽²⁾	M10x1 ⁽²⁾
Dropout Width	4-9 mm	4-9 mm	4-9 mm
No. of Spoke Holes	32 or 36	32 or 36	32 or 36
Spoke Hole Diameter	3 mm	3 mm	3 mm
Spoke Hole Pitch Diameter	101 mm	101 mm	101 mm
Chain Line	49 mm	49 mm	49 mm
Chain Dimensions	1/2" x 1/8" or 1/2" x 3/32"	1/2" x 1/8" or 1/2" x 3/32"	1/2" x 1/8" or 1/2" x 3/32"
Ratio (chain ring/hub sprocket)	1.9-2.0	Min. 1.9	Min. 1.9
Hub Sprocket	18 / 19 / 20 / 21 / 22 Teeth	18 / 19 / 20 / 21 / 22 Teeth	18 / 19 / 20 / 21 / 22 Teeth
Shifter	SRAM G8 Twist Shifter	SRAM G8 Twist Shifter	SRAM G8 Twist Shifter
Hub Shell	Aluminium	Aluminium	Aluminium
Color Options	Icelandic Black / Falcon Grey	Icelandic Black / Falcon Grey	Icelandic Black / Falcon Grey
Weight	2188 g	2088 g	2088 g
Belt Version Available	No	Yes ⁽³⁾	Yes ⁽³⁾
E-bike Compatibility	Please Contact SRAM	Please Contact SRAM	Please Contact SRAM

(1) Use coaster brake version only for total weight (rider+bike+luggage) up to 125 kg depending on chainring/hub sprocket combination. Coaster brake performance according to DIN EN 14764 approved for 125 kg total weight at ratio 1.9.

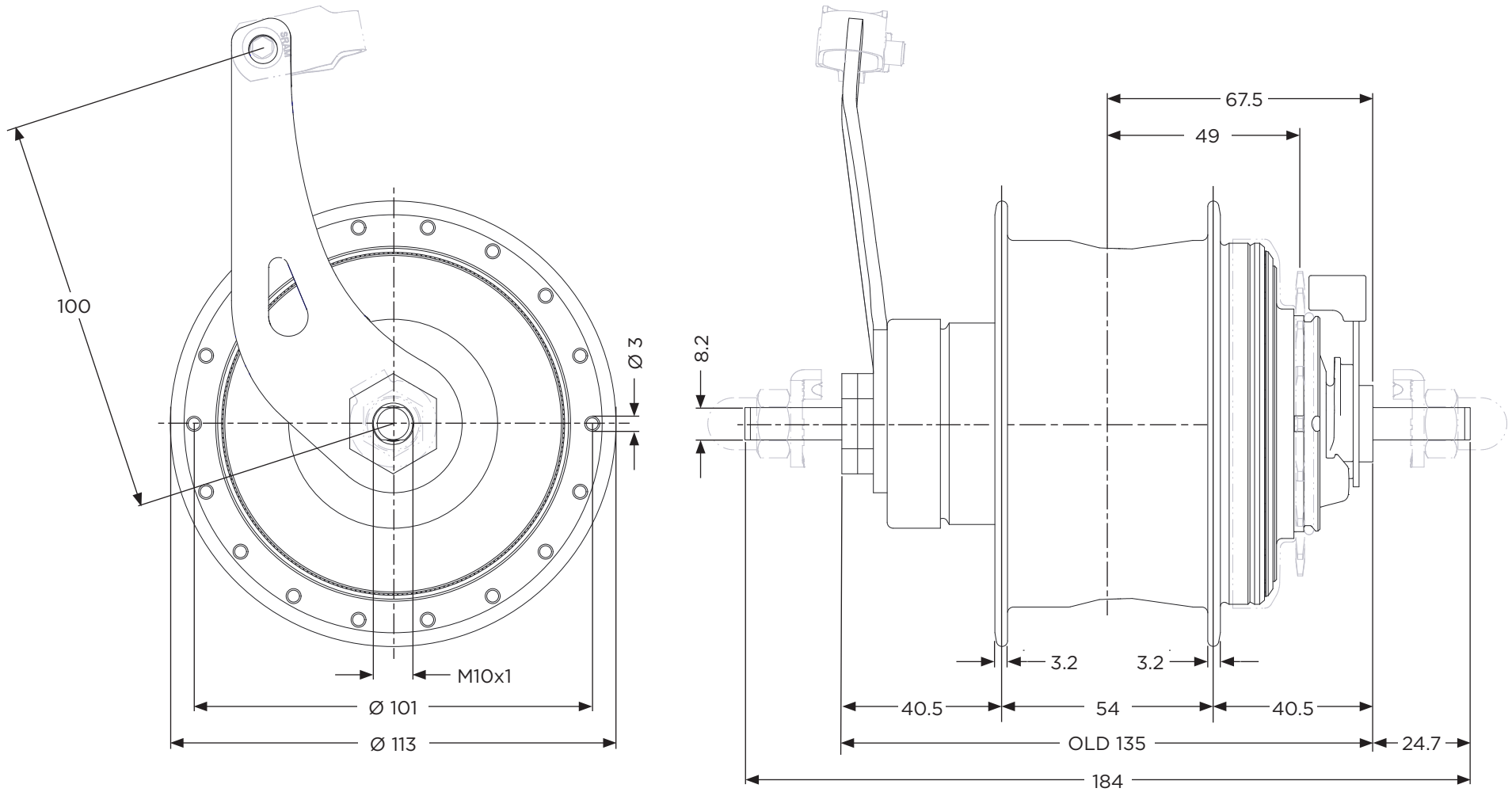
(2) Refer to the dimension drawings in this document for more information.

(3) Special part numbers for hub and shifter required, please contact your SRAM representative.

G8 - Coaster Brake

Note

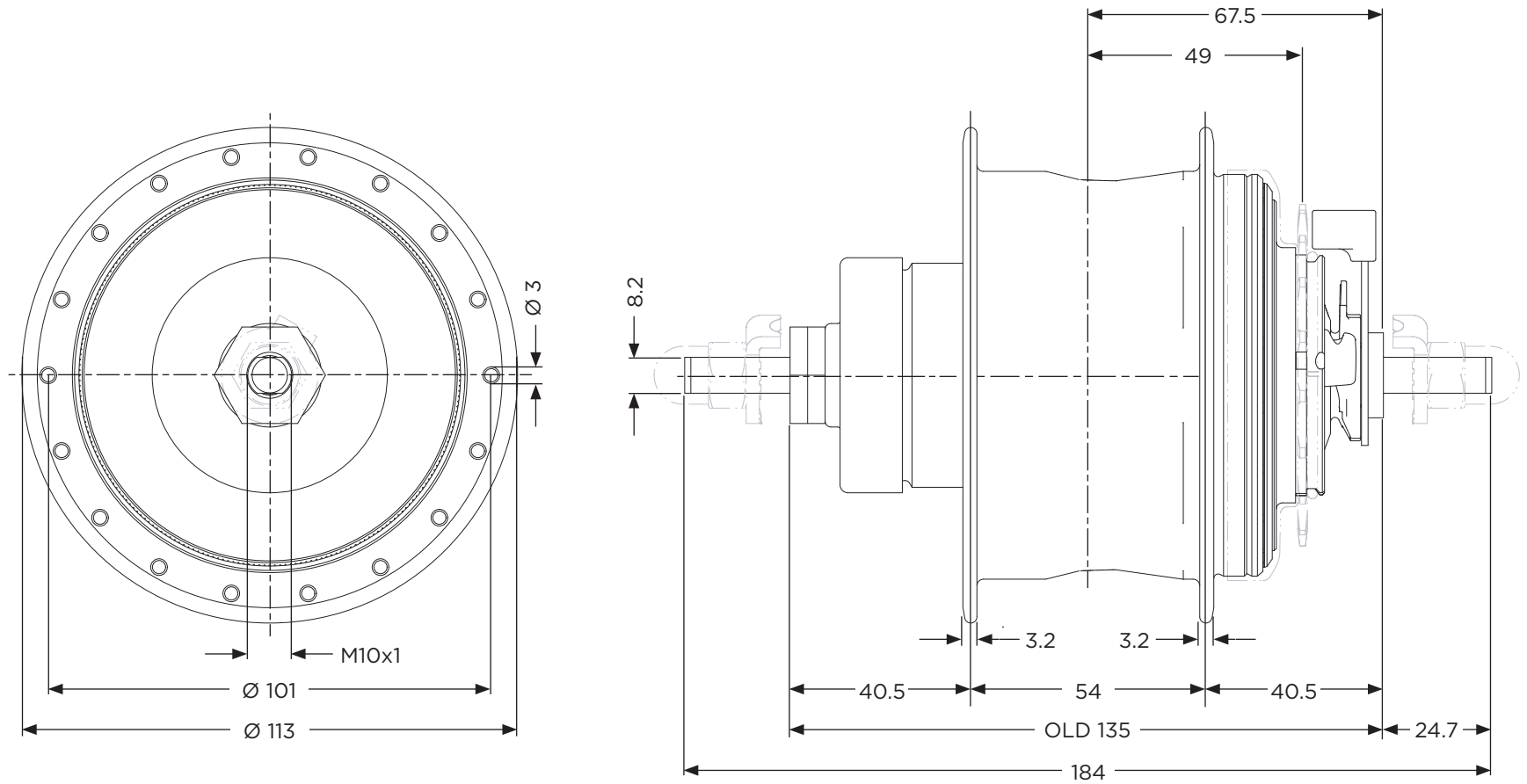
Refer to [G8 - Disc Brake drawing](#) for cable end stop dimensions.



G8 - Free Wheel

Note

Refer to [G8 - Disc Brake drawing](#) for cable end stop dimensions.



G8 - Free Wheel - Belt Compatible

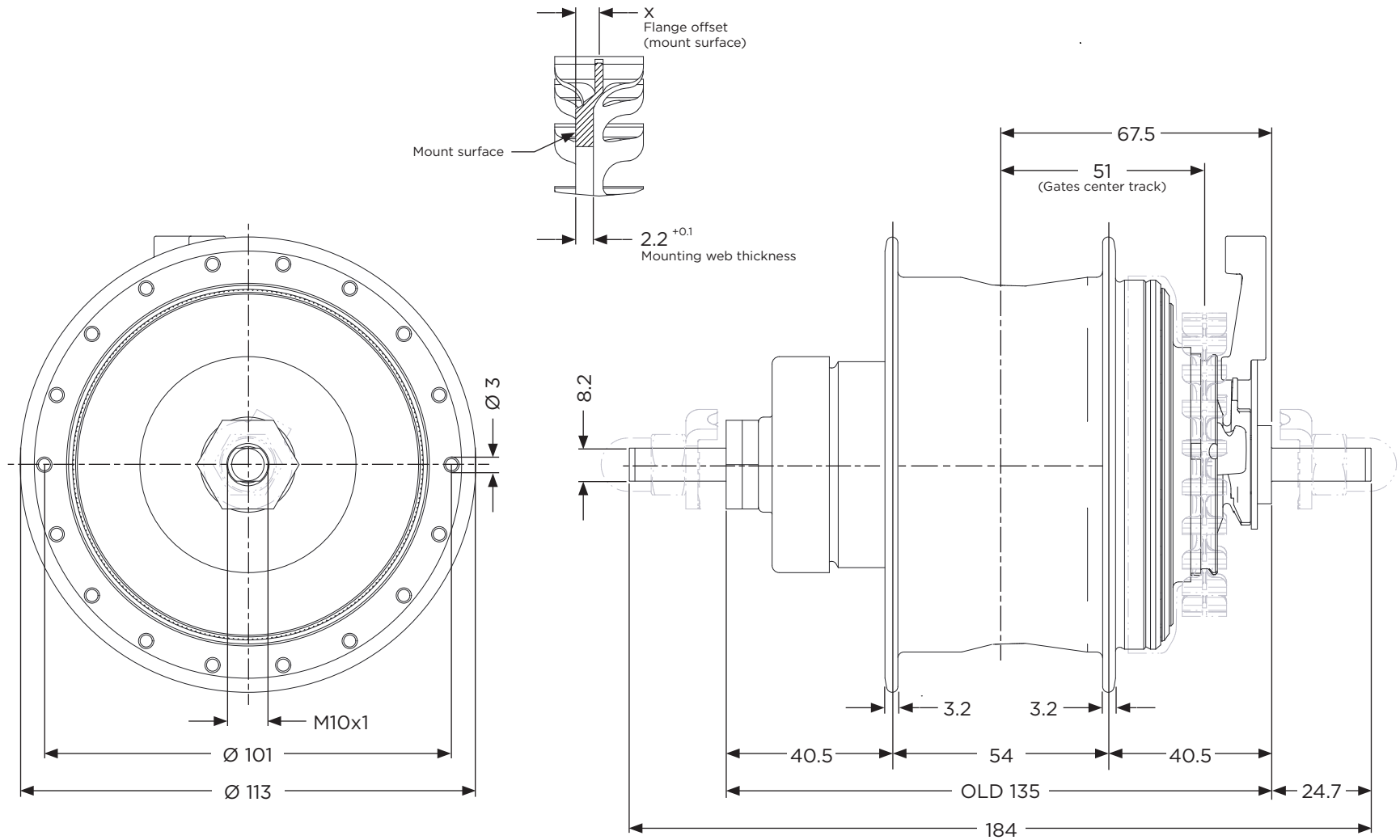
Notes

Use with belt pulley 22T and 24T only.

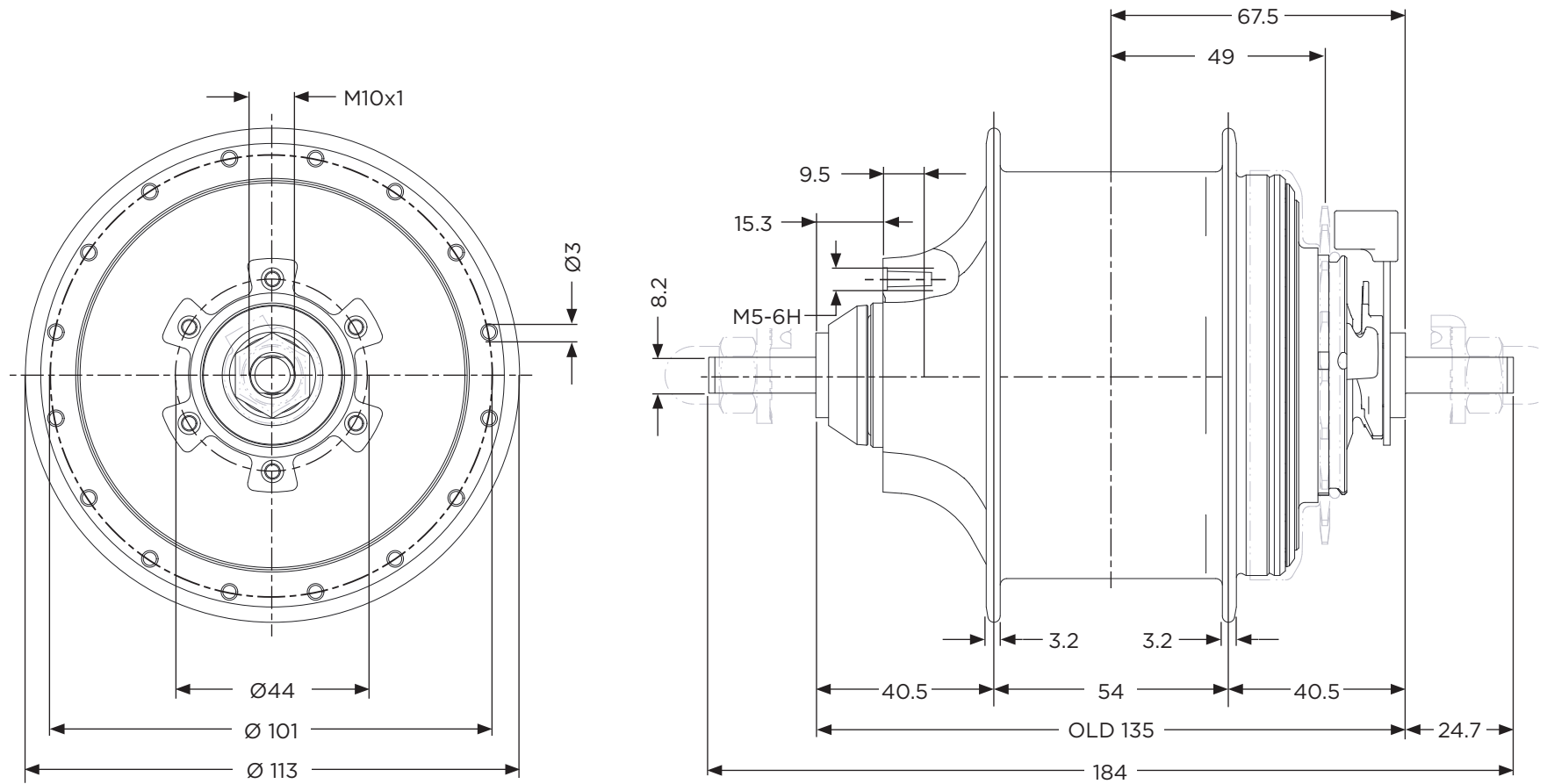
The maximum belt width is 11 mm.

Refer to [G8 - Disc Brake - Belt Compatible drawing](#) for cable end stop dimensions.

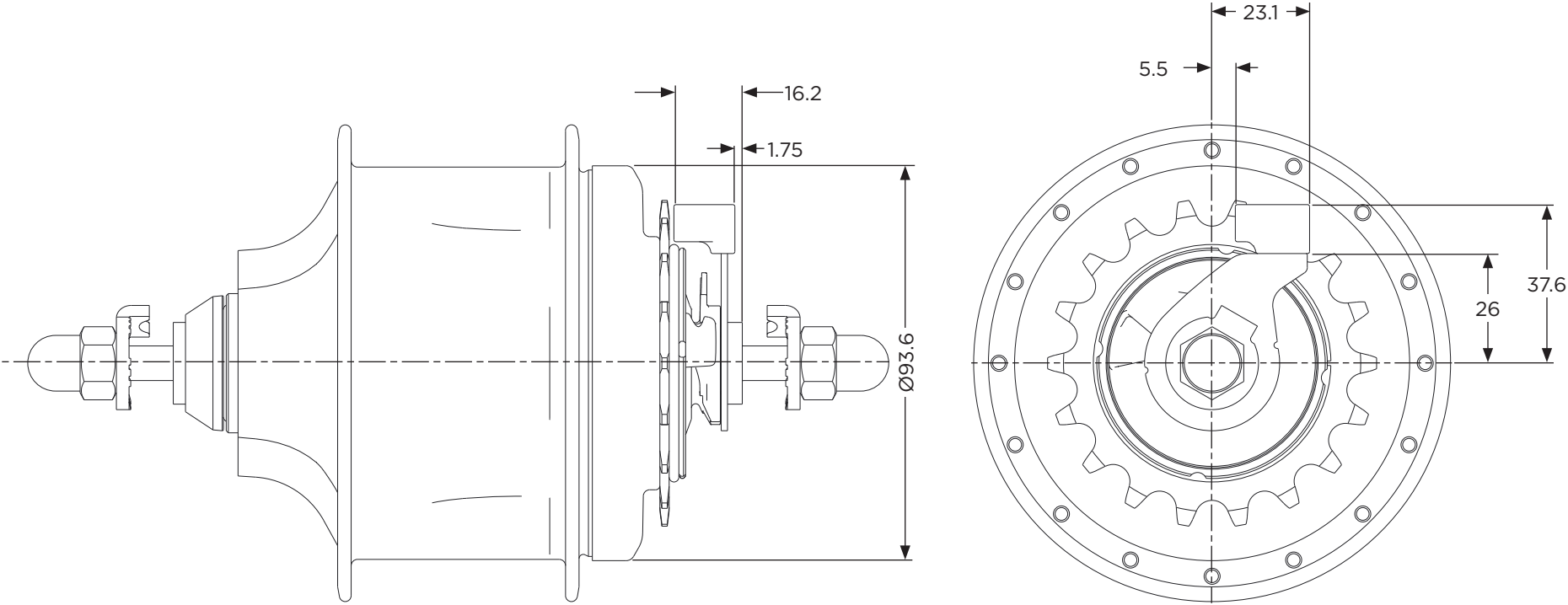
Belt line depending on belt supplier
Belt line = $48.1 + x$



G8 - Disc Brake



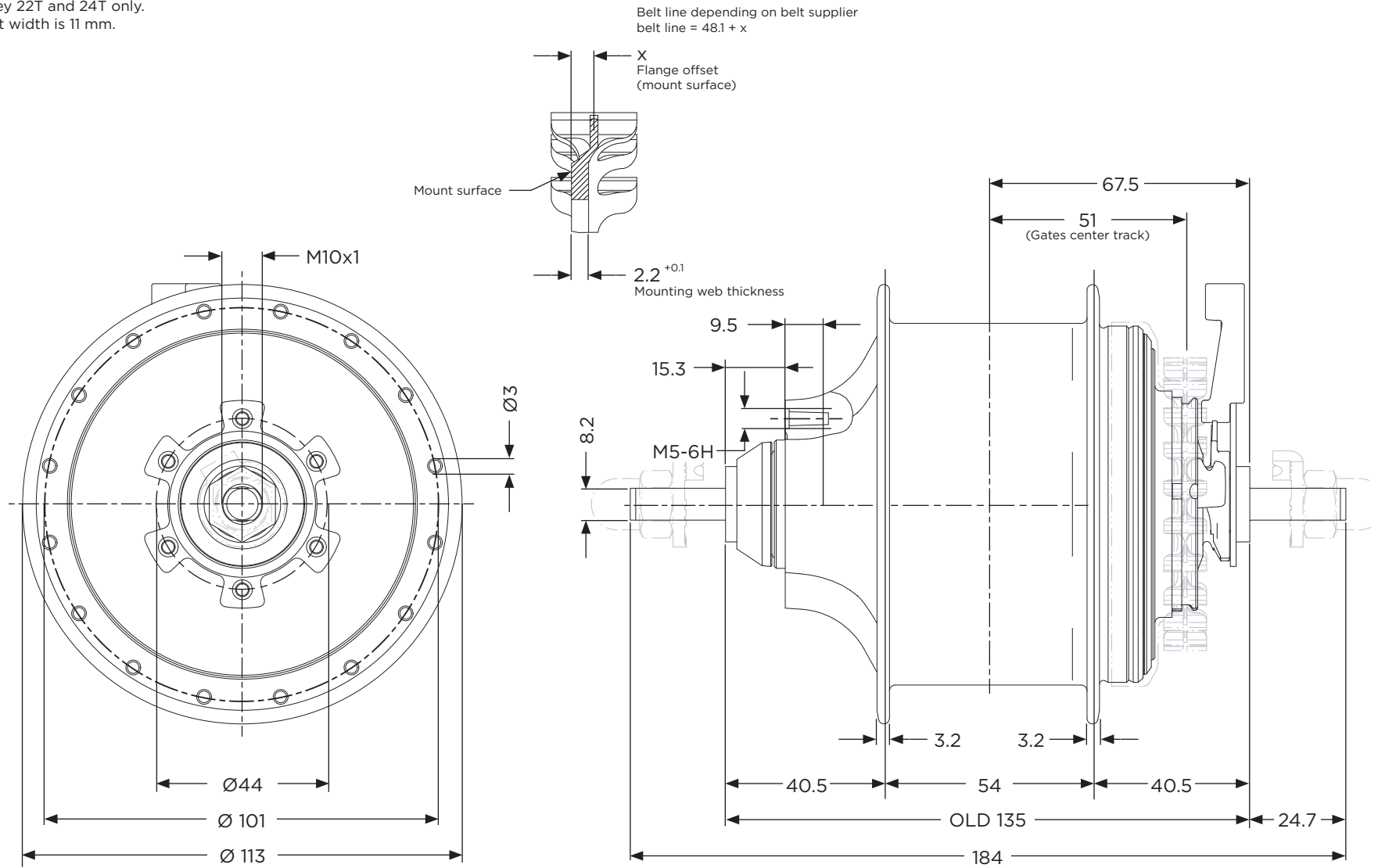
G8 - Disc Brake



G8 - Disc Brake - Belt Compatible

Notes

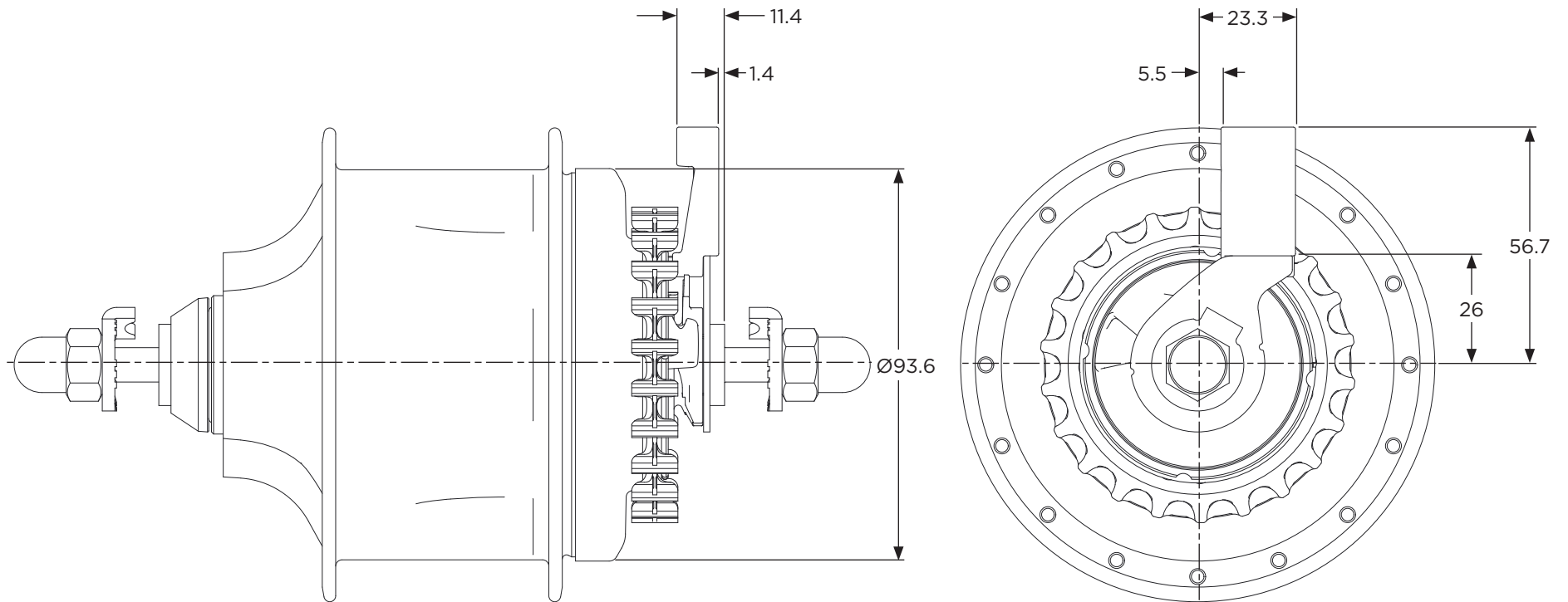
Use with belt pulley 22T and 24T only.
The maximum belt width is 11 mm.



G8 - Disc Brake - Belt Compatible

Notes

Use with belt pulley 22T and 24T only.
The maximum belt width is 11 mm.





SRAM G9 IGH

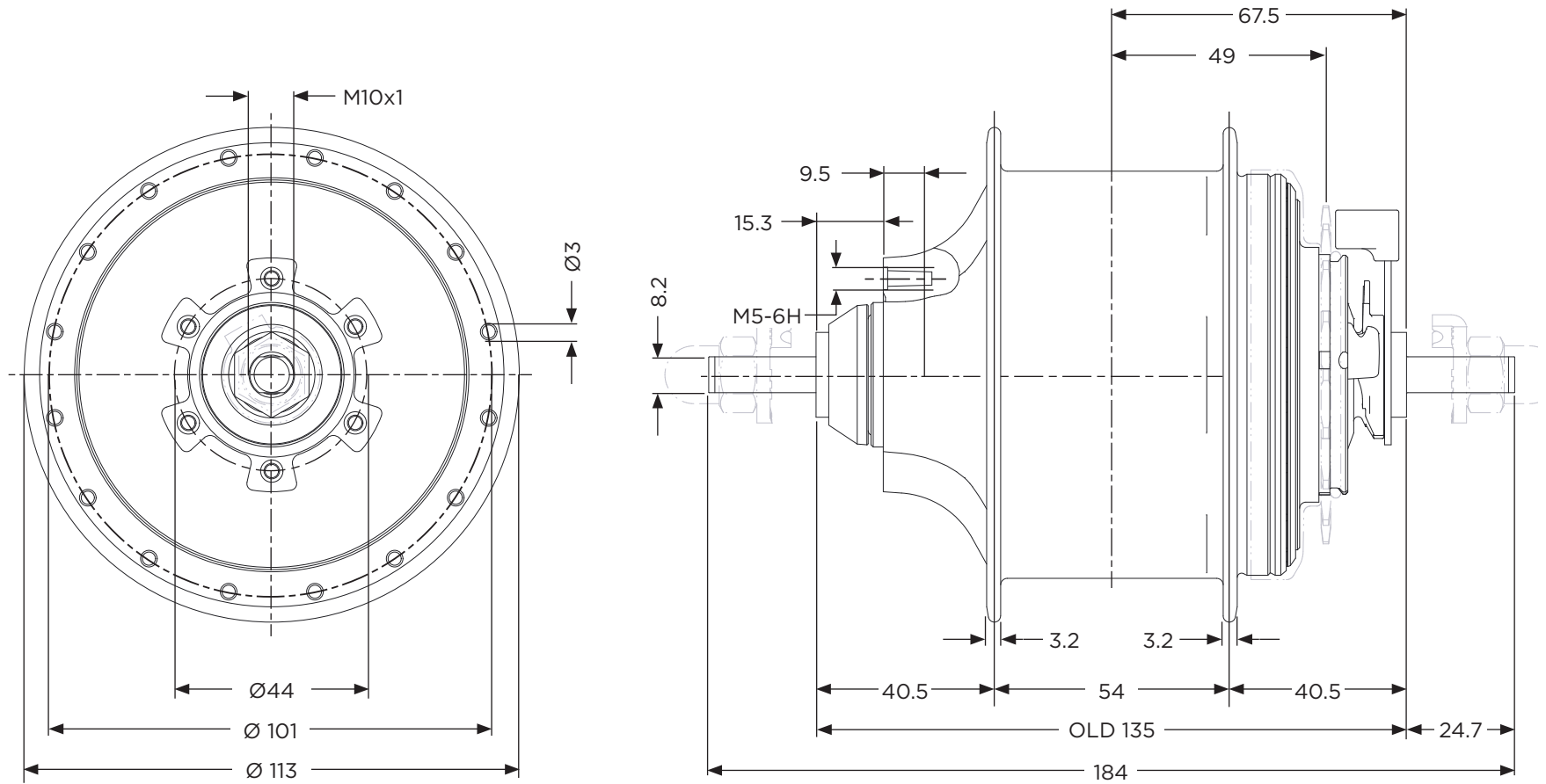
G9 - General Information

	G9 Coaster Brake	G9 Free Wheel	G9 Disc Brake
Brake	Currently Not Available	Use Disc Brake Version	No Brake / Disc Brake Adapter
Speeds			9
Total Gear Ratio			292%
Gear Steps			12-16 %
Speed 1			54.1%
Speed 2			60.9%
Speed 3			71.0%
Speed 4			80.3%
Speed 5			90.3%
Speed 6			105.4%
Speed 7			120.4%
Speed 8			135.5%
Speed 9			158.1%
Over Locknut Dimension (OLD)			135 mm
Axle Length			184 mm
Axle Threads			M10x1 ⁽¹⁾
Dropout Width			4-9 mm
No. of Spoke Holes			32 or 36
Spoke Hole Diameter			3 mm
Spoke Hole Pitch Diameter			101 mm
Chain Line			49 mm
Chain Dimensions			1/2" x 1/8" or 1/2" x 3/32"
Ratio (chain ring/hub sprocket)			Min. 1.9
Hub Sprocket			18 / 19 / 20 / 21 / 22 Teeth
Shifter			SRAM G9 Trigger Shifter
Shift Mechanism			Inside Chain Stay
Hub Shell			Aluminium
Color Options			Gloss Black
Weight			2088 g
Belt Version Available			Yes ⁽²⁾
E-bike Compatibility			Please Contact SRAM

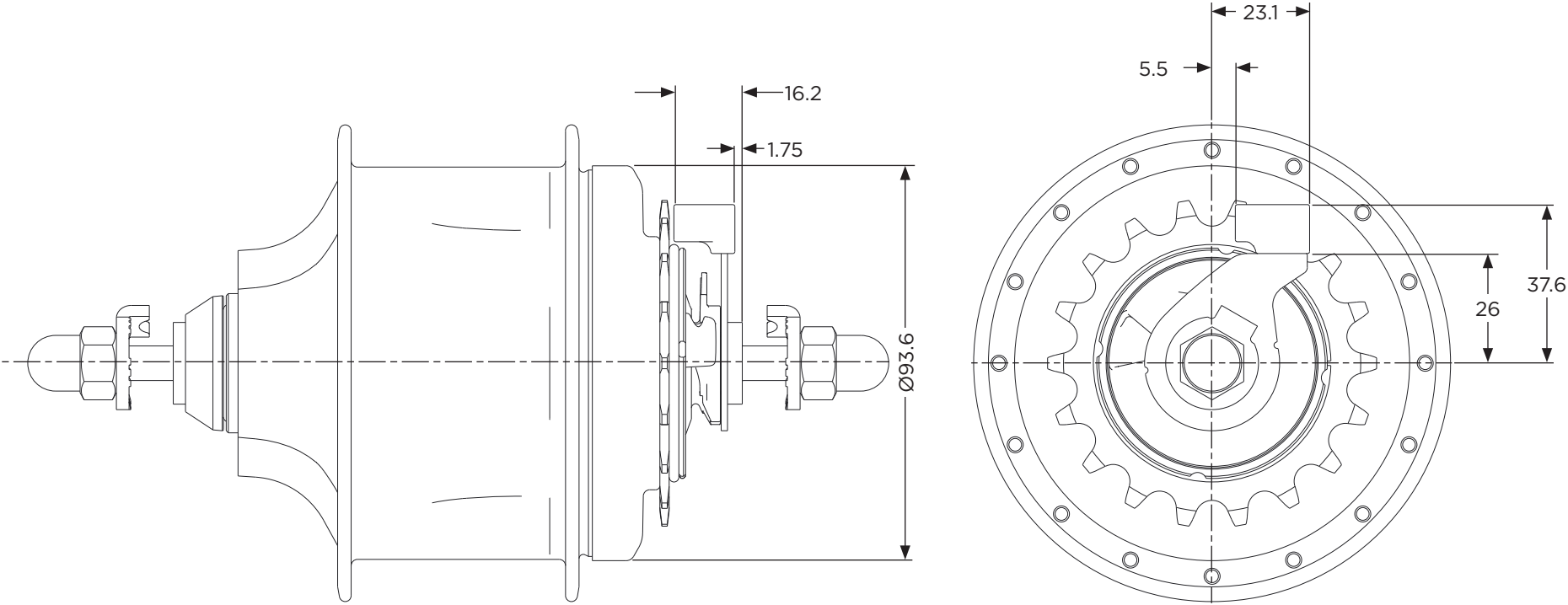
(1) Refer to the dimension drawings in this document for more information.

(2) Special part numbers for hub and shifter required, please contact your SRAM representative.

G9 - Disc Brake



G9 - Disc Brake



G9 - Disc Brake - Belt Compatible

Notes

Use with belt pulley 22T and 24T only.
The maximum belt width is 11 mm.

